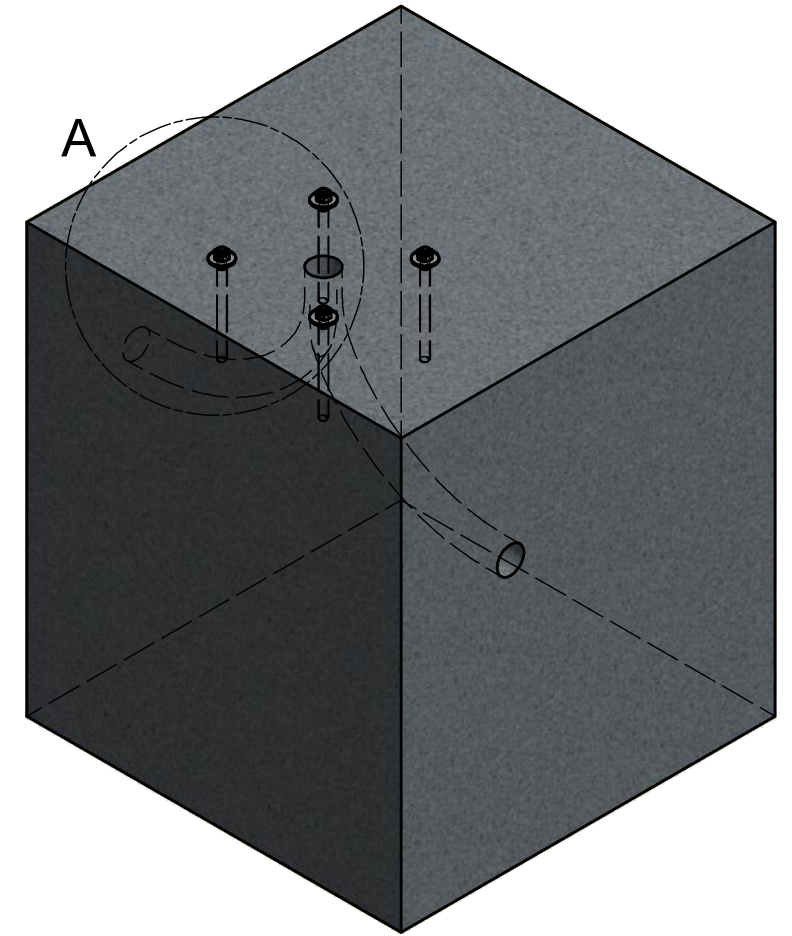


A (1 : 5)



Remarks: concrete foundation 700x700x800, in C20/25, anchors at least 100 mm into the concrete foundation

ITEM	QTY	SAP NO	ARTICLE CODE	DESCRIPTION
1	1		sar concrete foundation	700 x 700 x 800 C20/25
2	4	2007584	M12	DIN 934 - M12
3	4	2007584	drstg12180	thread-rod M12x180 DIN 976 ss
4	4	2016900	slur12groot	DIN 9021 - 13

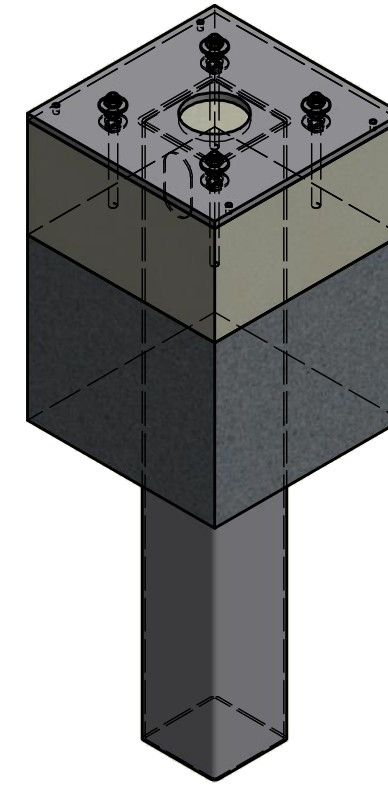
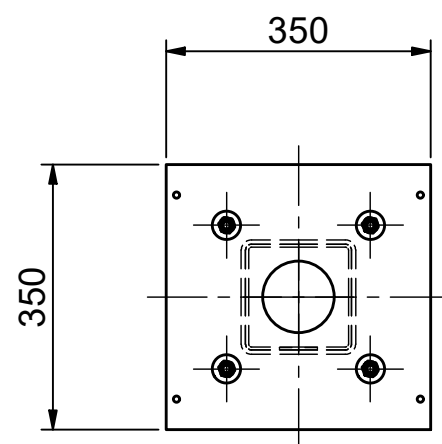
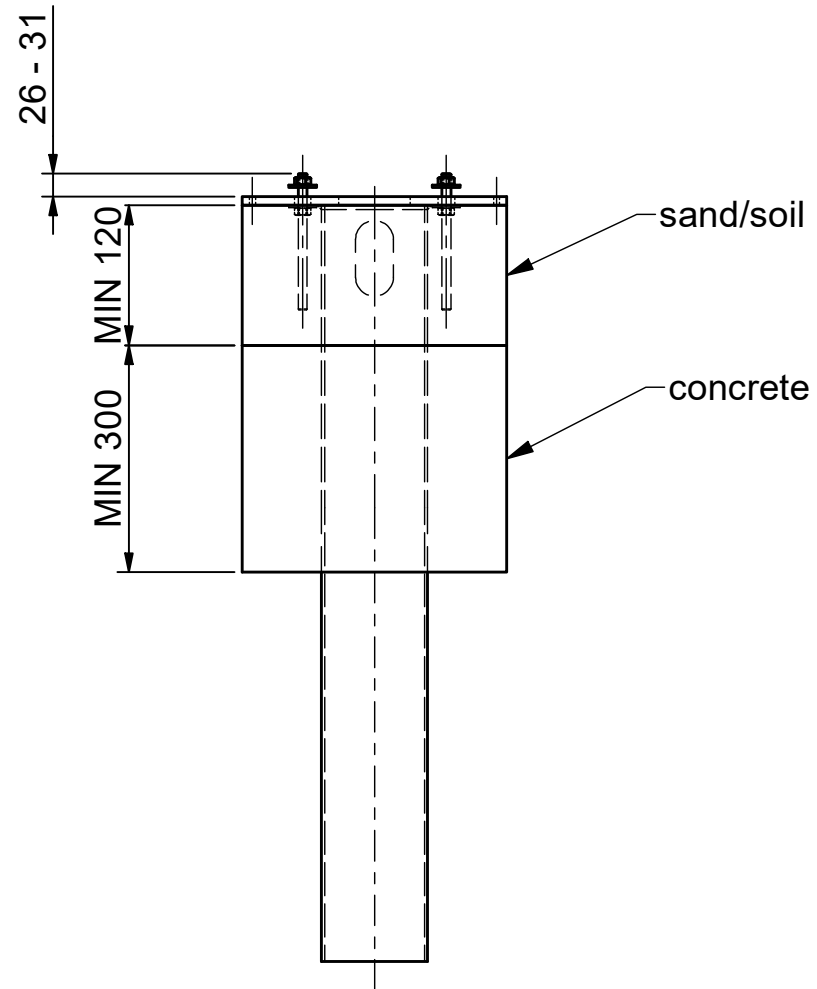
0				
REV.:	REVISION DESCRIPTION:	NAME:	DATE:	CHK. BY:

DRAWN BY: cli	DATE: 25-5-2021	ARTICLE CODE:	SAP NO:
UNIT: mm	TOL.: ±0,5; ±1°	sarfoundation_twoversions	
SCALE: 1 : 10	PROJ.:	FORMAT:	PROJECT NO:
MASS: N/A		A3	

	DESCRIPTION
	saros foundation concrete and prefab version

P.O. Box 30, 5688 ZG Oirschot, The Netherlands T +31 (0)499-551255 I www.heras.com F +31 (0)499-551799 E infoNL@heras.nl	PROJECT CODE:	DRAWING NO: p08309	REV NO: 0	SHEET: 1 v 2
--	---------------	-----------------------	--------------	-----------------

This drawing is property of HERAS. Reproduction or disclosure to third parties in any form whatsoever is not allowed without explicit written consent of HERAS.



Remarks: concrete foundation min 350x350x300, in C20/25, about 75 kg

ITEM	QTY	SAP NO	ARTICLE CODE	DESCRIPTION
1	1		saros prefab concrete block	350 x 350 x 300
2	1	2009642	fundplzuil	fnd plate column bpl 350 hd
3	8	2007584	M12	DIN 934 - M12
4	4	2007584	drstg12180	thread-rod M12x180 DIN 976 ss
5	8	2016900	slur12groot	DIN 9021 - 13

DRAWN BY: cli	DATE: 25-5-2021	ARTICLE CODE:	SAP NO:
UNIT: mm	TOL.: ±0,5; ±1°	sarfoundation_twoversions	
SCALE: 1 : 10	PROJ.:	PROJECT NAME:	PROJECT NO:
MASS: N/A		A3	

	DESCRIPTION		
	saros foundation concrete and prefab version		
P.O. Box 30, 5688 ZG Oirschot, The Netherlands T +31 (0)499-551255 I www.heras.com F +31 (0)499-551799 E infoNL@heras.nl	PROJECT CODE:	DRAWING NO:	REV NO: SHEET:
		p08309	0 2 v 2

This drawing is property of HERAS. Reproduction or disclosure to third parties in any form whatsoever is not allowed without explicit written consent of HERAS.