



B801

Entrance control / Speedwing slimlane

Speedwing slimlane uses hinged glass wings to allow the fast and secure access and egress of authorized users. With its small footprint and sleek design Speedwing slimlane offers the perfect balance between aesthetics and security in virtually any application.

Speedwing slimlane uses a combination of 10mm tempered glass wings and a high performance photocell detection tracking system which is adjustable to different levels of security, to prevent unauthorised use in both directions. Access control readers can be mounted directly into the Speedwing slimlane framework, which together with inbuilt backlit function and orientation pictograms ensure authorised users pass with almost no delay. Manufactured to a very high standard of finish using a AISI 304L brushed stainless steel framework and top cover, Speedwing slimlane is suitable for many prestige locations, where there is a need to balance aesthetic appeal, security and durability, such as building entrances, reception areas, banks and airports.

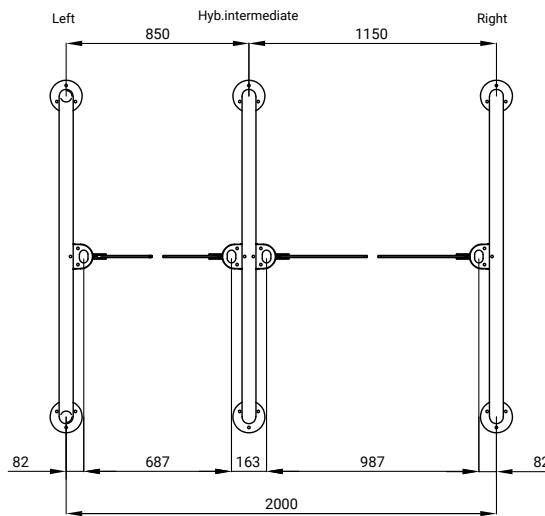
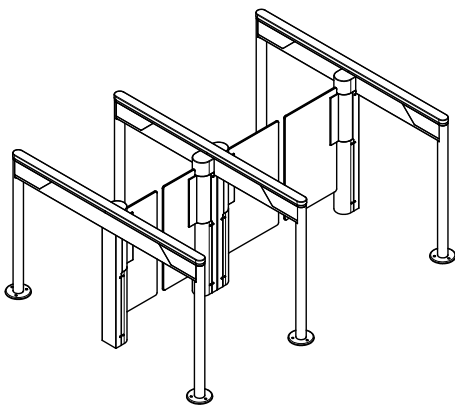
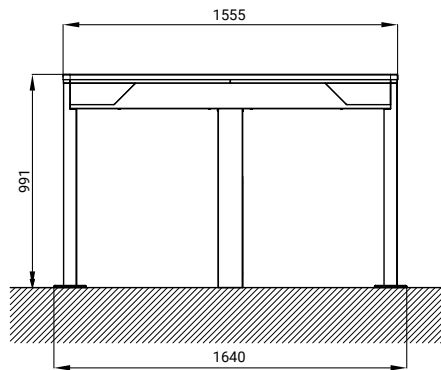
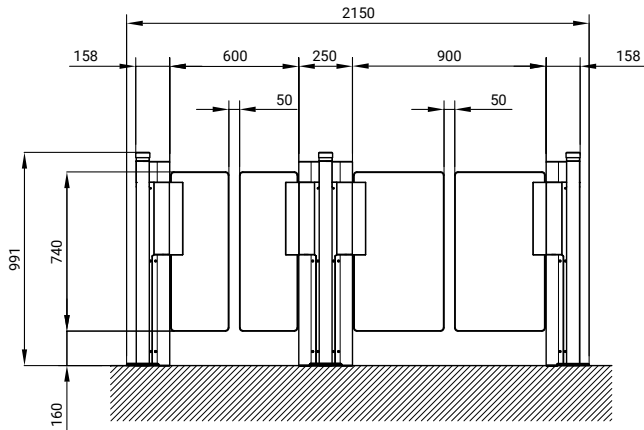
Speedwing slimlane is available in single lane, multi-lane and wide security entrance lanes to comply with Disabled Access requirements, which can be combined to maximize the number of lanes and increase user throughput. It is one of the range of advanced entrance control products from the UK's entrance control leader, Speedwing slimlane design is based on years of experience and combine ergonomic innovation with attention to detail, to ensure quality and reliability are built in. Quality after-sales maintenance and service support ensure long term satisfaction.

- **Minimal footprint for maximum throughput**
- **Variable Glass Heights up to 1700mm**
- **High Safety protection with photocell matrix**
- **Fast operation opening/closing < 1 second**
- **Interface with any card reader systems**

Experts in perimeter protection



Drawings (dimensions in mm)



Technical specifications

Power supply	100 – 230V single phase, 5A, 50/60Hz.
Power consumption	Standby: 50W Duty cycle: 170W Maximum: 300W
Motors (x2)	24VDC – nominal output power 93W
Minimum opening or closing times	0.7 seconds (depending on the access control system reactivity and the speed of users)
Ambient operating temperature:	0 °C to + 50 °C
Sound level	55 dB
Net weight	62 kg (per left/right unit) / 91Kg (per intermediate unit)

Certificates

- Certificates (CE)
- Declaration of Performance (DoP)
 - EN 12100-1
 - EN 12100-2
- Declaration of Conformity (DoC)
 - Directives machines (2006/42/EC)
 - EMC Directive (2014/30/EU)

Applications

- Schools, Universities, colleges
- Offices, Administration sites
- Industrial, Manufacturing and Distribution facilities
- Sports centres, gymnasiums, leisure complexes

Ordering information

Contact your local Heras office for precise ordering details.

Suggested accessories / products

- Extension housings including orientation pictogram
- Glass side wall
- Glass gate heights of 1200, 1500 or 1700mm
- Personalised logo on glass
- Access Reader integration kit
- Battery back-up for automatic opening and obstacle locking in egress direction