



B650

Entrance Control / Tripod Turnstile

The B650 Tripod turnstile is a compact and economical entrance control solution available in both a short and long body design, which can incorporate a variety of access control devices including proximity card readers, biometric readers and bar code scanners.

The turnstile can be operated in 5 different modes for each direction depending on the requirement. In the event of power failure or fire alarm signal the rotating arms will default to free passage. There is also an anti-panic option that automatically releases the tripod arm in the event of power failure or fire alarm signal allowing free passage. Function and directional pictograms can also be added to raise the ergonomic use of the turnstile.

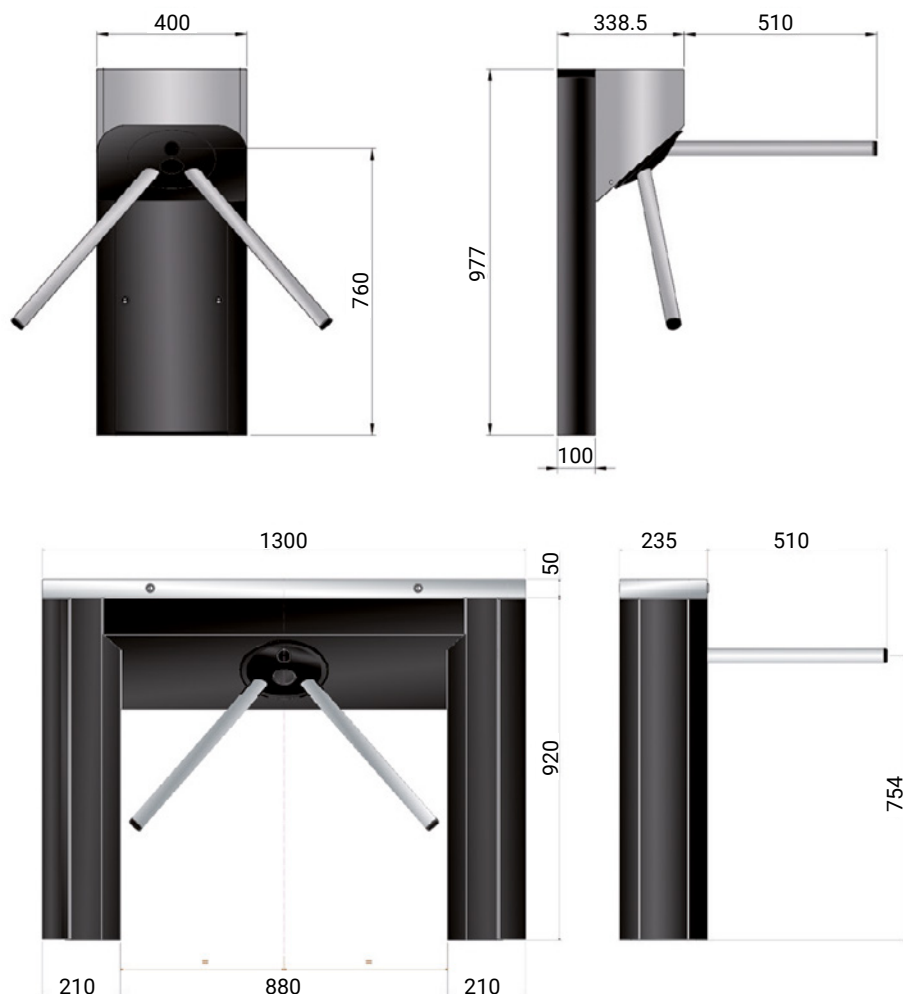
With its robust design and rigid steel body the turnstile is available in either a painted finish with stainless steel top cover

or in full stainless steel ensuring it is suitable for both indoor and outdoor installations and high-humidity locations, either as a standalone unit or in banks where it can be used to allow large number of authorized users travelling in one direction.

With its bi-directional operation function the turnstile allows for fast access and high pedestrian flow rate within a limited space. It can be combined with an access gate to comply with Disabled Access requirements.

- **Slim or short cabinets to fit all site requirements**
- **Drop arm feature allows free flow operation or emergency access.**
- **Multiple operating modes to suite all applications**
- **High pedestrian flow rate up to 20 persons/minute**
- **Suitable for indoor and outdoor applications.**

Standard Dimensions (mm)



Technical specifications

Power supply	100 – 230V single phase, 50/60Hz.
Control circuit	24V DC
Consumption:	Standby mode < 15W Duty cycle < 55W Max < 85W
Ambient operating temperature:	-10 °C to + 50 °C
Flow passages/minute	20
Net weight	46 Kg / 60 Kg

Certificates

- Certificates (CE)
- Declaration of Performance (DoP)
 - EN 60204-1
 - EN 12100
- Declaration of Conformity (DoC)
 - Directives machines (2006/42/EC)
 - EMC Directive (2014/30/EU)

Applications

- Schools, Universities, colleges
- Offices, Administration sites
- Industrial, Manufacturing and Distribution facilities
- Sports centres, gymnasiums, leisure complexes
- Terminals (port, harbour, airport, rail)

Ordering information

Contact your local Heras office for precise ordering details.

Suggested accessories / products

- Collapsible/Drop arm
- Motorisation with movement assistance and re-arming of collapsible arm
- LED Function pictogram
- Full AISI 304L or 316L Stainless steel housing
- Thermostated heating for temperatures down to -40'
- Access Reader integration kit