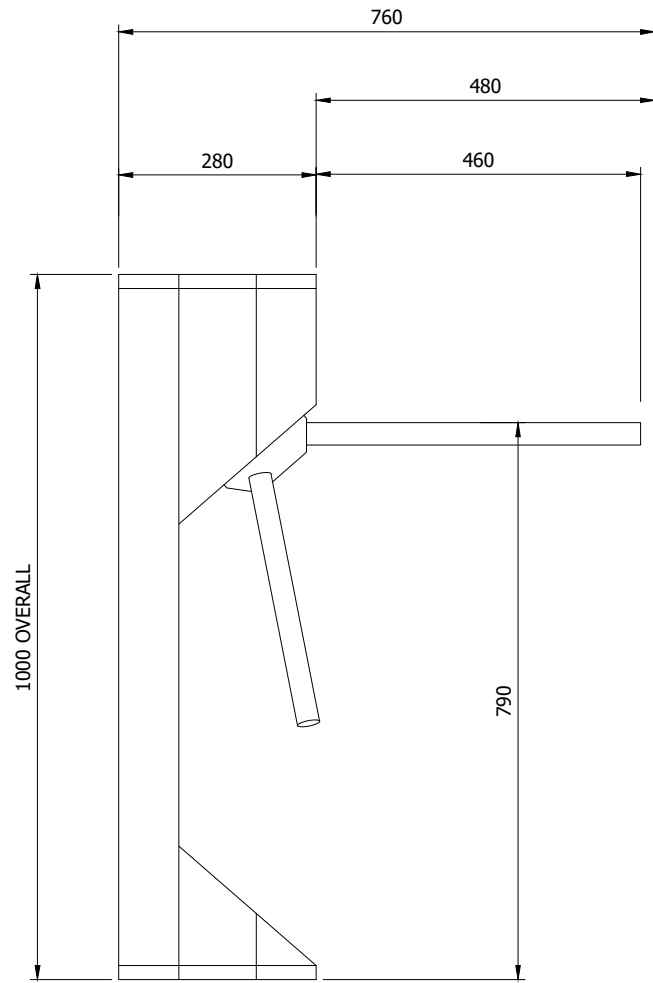
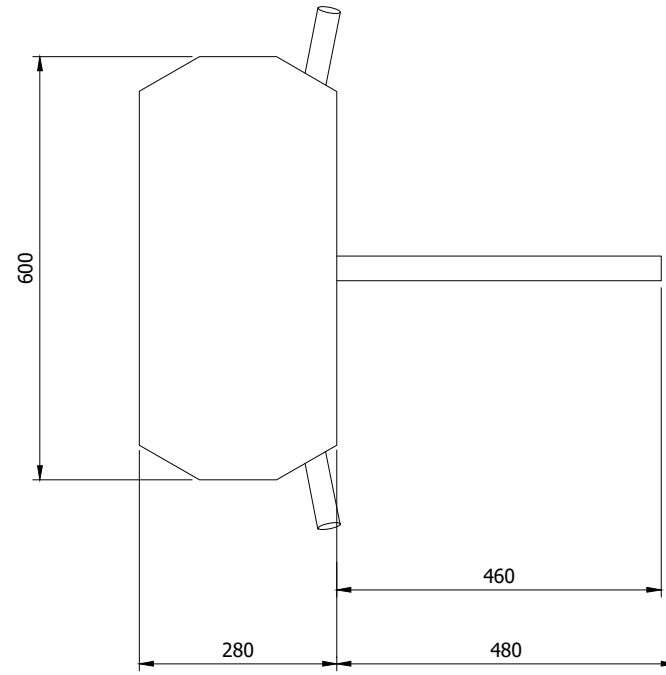


PLAN AND ELEVATION OF TRIPOD TURNSTILE (SCALE 1:10)

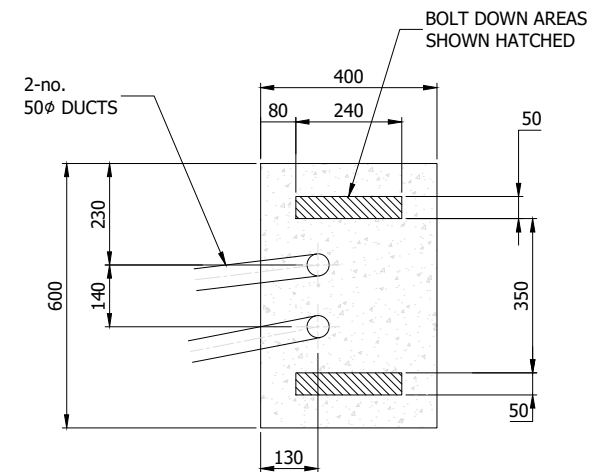
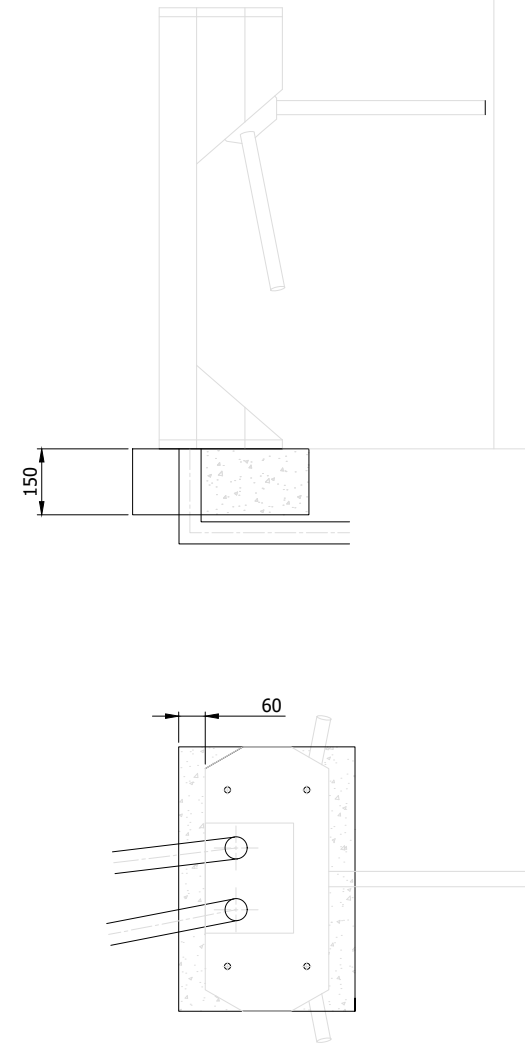


SIDE ELEVATION

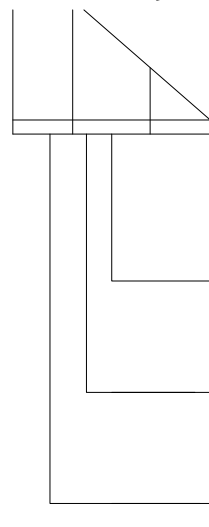


PLAN VIEW

FOUNDATION DETAILS (SCALE 1:16)



CABLING DETAIL (SCALE 1:10)



240V, L+N+E, 6Amp ELECTRICAL SUPPLY

8 CORE 0.2 CY TYPE PUSH BUTTON CABLE

CARD READER CABLE TO BE SPECIFIED BY READER PROVIDER

DO NOT SCALE - IF IN DOUBT ASK
THIS DRAWING REMAINS THE COPYRIGHT OF HERAS
ENTRANCE CONTROL AND MUST NOT BE
REPRODUCED IN WHOLE OR IN PART WITHOUT
PRIOR WRITTEN PERMISSION

**INFORMATION ONLY - NOT FOR
CONSTRUCTION/MANUFACTURE**

NOTES

1. ALL DIMENSIONS IN MILLIMETRES UNLESS SHOWN OTHERWISE
2. STANDARD MATERIAL: MILD STEEL
3. STANDARD FINISH: POLYESTER POWDER COATED.

CONCRETE SPECIFICATION

1. MAXIMUM SIZE OF AGGREGATE 14mm GRADE C30.
2. MINIMUM CEMENT CONTENT 240kg/m³
3. ALL CONCRETE THICKNESSES GIVEN ARE A MINIMUM AND MAY BE INCREASED REQUIRED TO SUIT SITE CONDITIONS.
4. IT IS NOT NECESSARY TO FIT REBAR REINFORCEMENTS AS THIS MAY CAUSE PROBLEMS WHEN FIXING BARRIER.
5. TOP SURFACE MUST BE LEVEL, SUITABLE FOR DRILLING AND SECURE FITTING OF BOLTS.
6. ALL DUCT DIMENSIONS ARE CRITICAL AND MUST BE MAINTAINED AT ALL TIMES.

Revision	Stability Description	Date	Checked	Approval	Date
A	FIRST ISSUE	22.05.19	BO		



A CRH COMPANY
33 Stakehill Industrial Estate, Middleton, Manchester M24 2RW
Tel: 0161 655 1020 E-mail: cc.sales@heras.co.uk

Product Name: TRIPOD TURNSTILE
Product Code: 620

Drawing Title: HALF HEIGHT TRIPOD TURNSTILE

Scale: AS SHOWN
Sheet Size: A3

Drawing Number: 620_TRIPOD_TURNSTILE_01
Revision: A