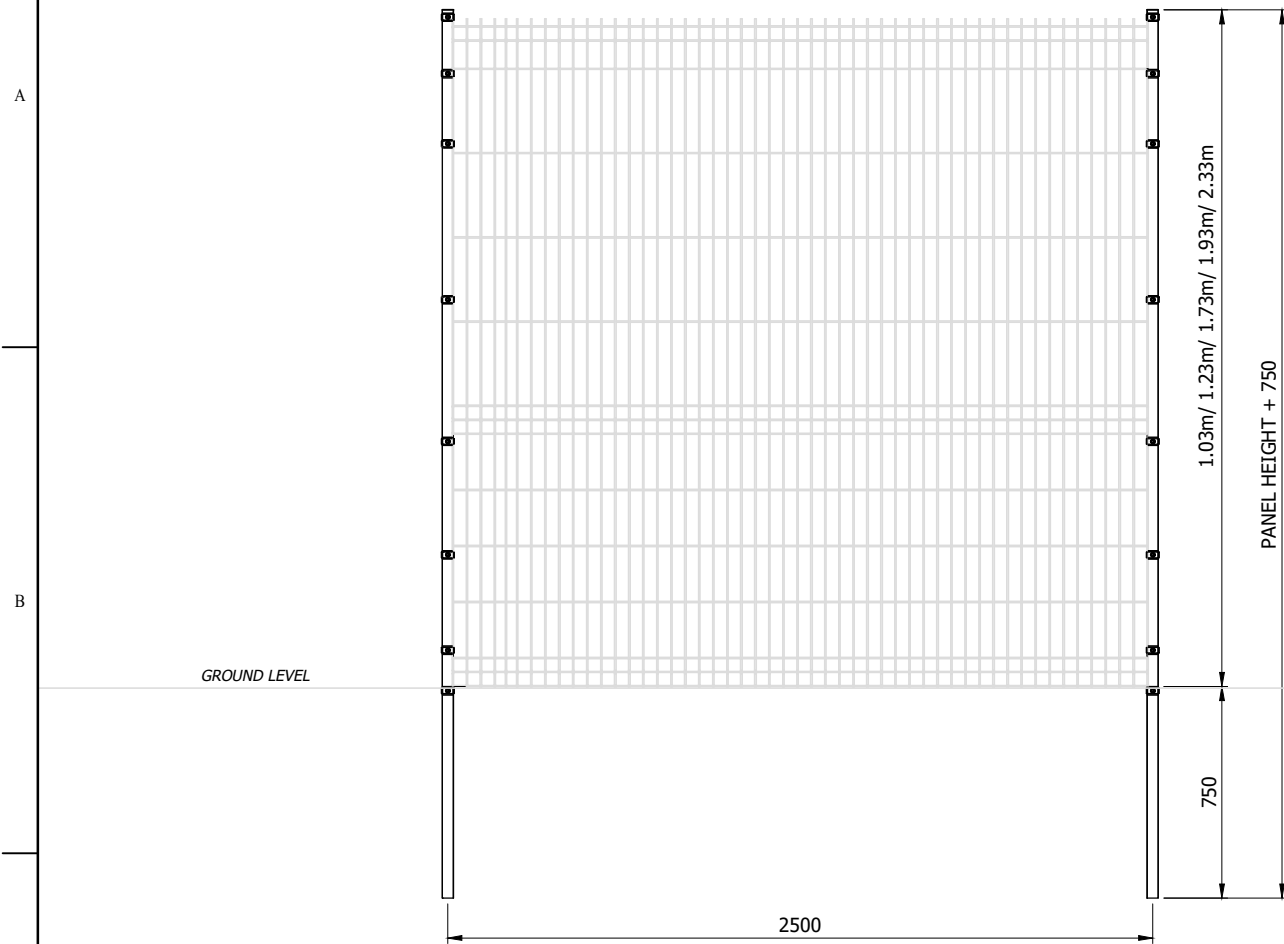
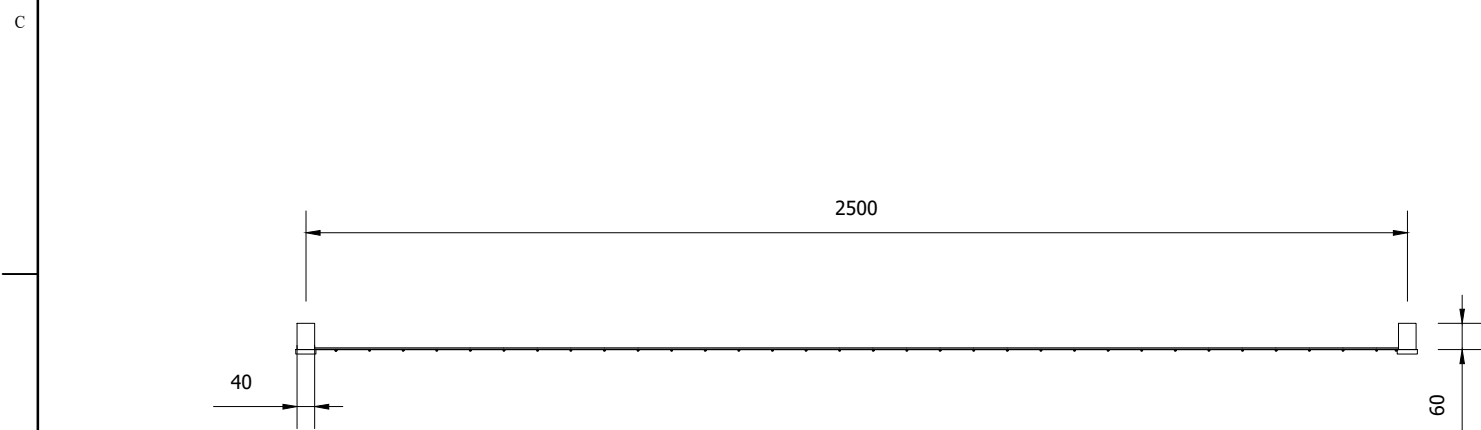


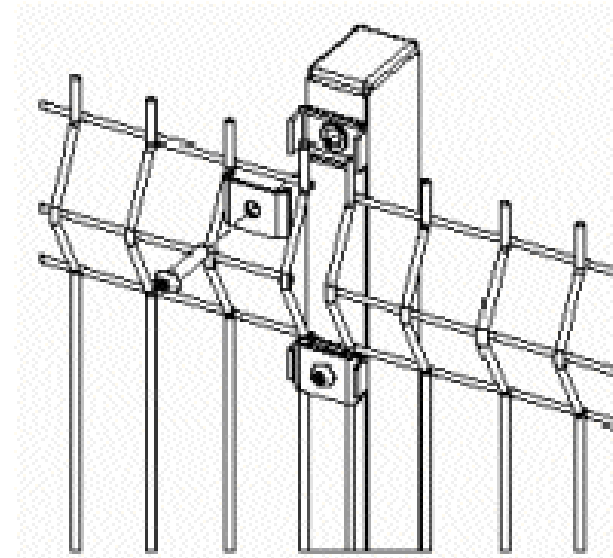
TRITON FENCE PANEL (SCALE 1:25)



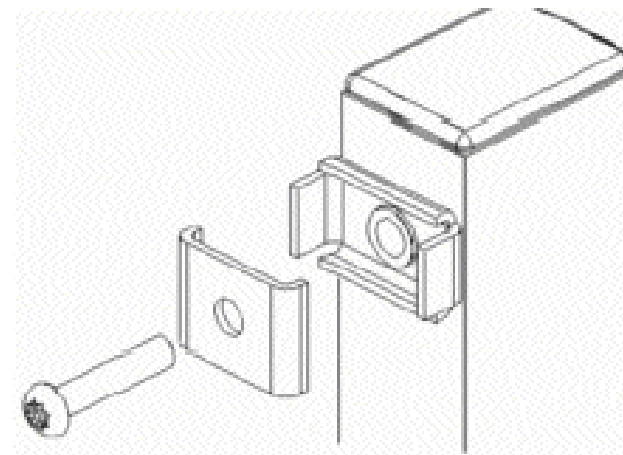
TRITON FENCE PANEL- PLAN VIEW (SCALE 1:20)



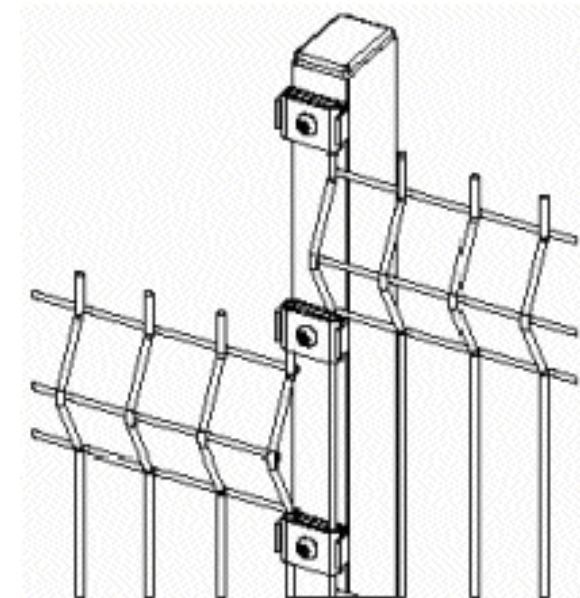
TRITON FENCING FIXINGS



EXPLODED VIEW OF TRITON FENCING FIXINGS



TRITON FENCING



DO NOT SCALE - IF IN DOUBT ASK

THIS DRAWING REMAINS THE COPYRIGHT OF HERAS
ENTRANCE CONTROL AND MUST NOT BE
REPRODUCED IN WHOLE OR IN PART WITHOUT
PRIOR WRITTEN PERMISSION

INFORMATION ONLY - NOT FOR
CONSTRUCTION/MANUFACTURE

NOTES

1. ALL DIMENSIONS IN MILLIMETRES UNLESS SHOWN OTHERWISE
2. STANDARD MATERIAL: MILD STEEL
3. STANDARD FINISH: POLYESTER POWDER COATED.

STANDARD FINISH:



Revision	Subsity Description	Drawn	Checked	Revised	Date
A	FIRST ISSUE	BO			02.07.19



A CRH COMPANY

33 Stakehill Industrial Estate, Middleton, Manchester M24 2RW
Tel: 0161 655 1020 E-mail: cc.sales@heras.co.uk

Product Name: TRITON FENCEING	Product Number: 100
----------------------------------	------------------------

Drawing Title:
TRITON FENCE PANEL DETAILS

Finish:	Scale: AS SHOWN	Sheet Size: A3
---------	--------------------	-------------------

Drawing Number: 100_TRITON_04	Revision: A
----------------------------------	----------------

S:\MIDDLETON\DESIGN\02_PRE_SALES\02_SALES_SPECIFICATION\100_FENCING\FENCING_MASTER.DWG 100mm 75 50 25