

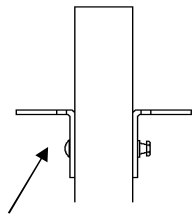
INSTALLATION INSTRUCTIONS



TR300 (Ball finial)
Post Type: Box Section
Fence Heights: 0.9m, 1.0m, 1.2m, 1.5m

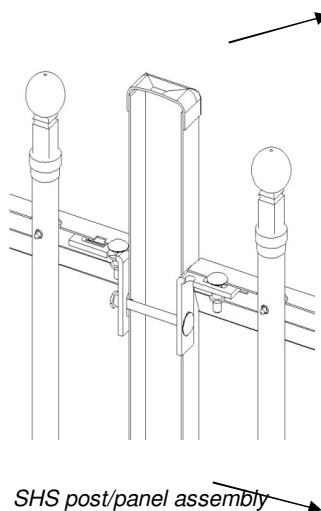


Panel Height (m)	all dimensions in mm										Verts per panel
	A *	B	C	D	E	F	G	H	J	K	
	2890mm Nominal c/c	850	100	125	150	75	50	1400	500		22
1.0m		950						1500			
1.2m		1150						1750			
1.5m		1450						2000			

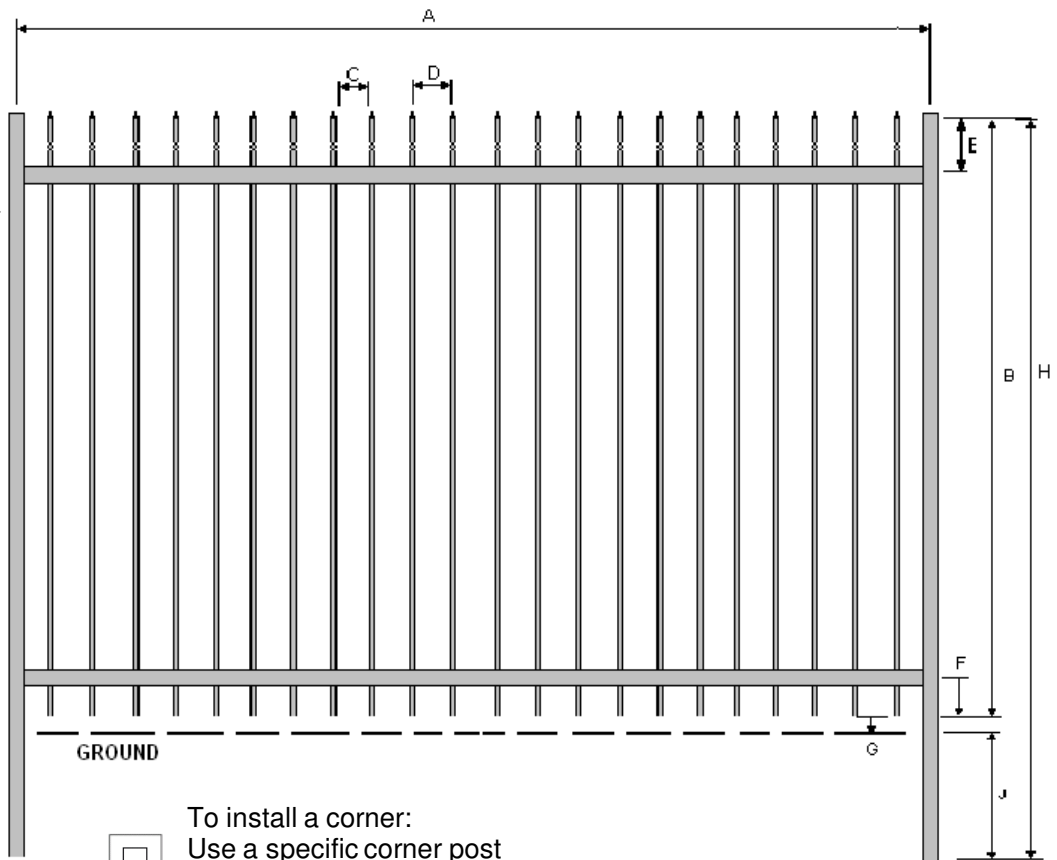


To fix cleat:
 Attach to either side of the post using a through M8 bolt.

* Dimension A - Raking detail
 Max rake of a standard panel = 800mm
 Adjustment of post centres will be required to suit any intermediary rakes.



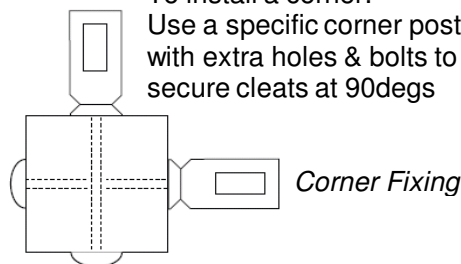
SHS post/panel assembly



To fix panel:
 Offer the rail onto the cleat and insert bolt.
 Push as far as possible towards the post face.

Make any adjustments to fence before snapping off nut.

To install a corner:
 Use a specific corner post with extra holes & bolts to secure cleats at 90deg



Corner Fixing

Make up panels are to be cut and drilled on site from standard panels. Any cut or damaged surfaces need to be repaired accordingly.

Tools required - Conventional socket to suit M8 & M10 shear nuts