

INSTALLATION INSTRUCTIONS



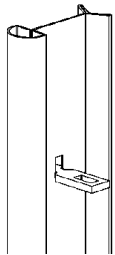
TR100, TR200 and TR400

Post Type: HD

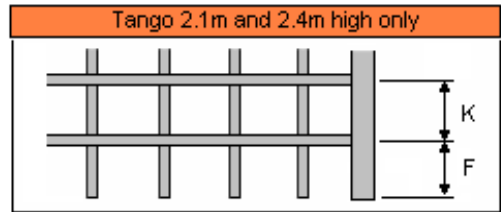
Fence Heights: 1.8m, 2.0m, 2.1m, 2.4m



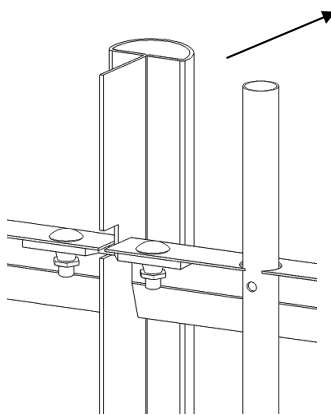
Panel Height (m)	all dimensions in mm										Verts per panel
	A *	B	C	D	E	F	G	H	J	K	
1.8m	2840mm Nominal/c	1750	100	125	225	150	50	2400	600	200	22
2.0m		1950						2600			
2.1m		2050						2800			
2.4m		2350						3100			



* Dimension A - Raking detail
Max rake of a standard panel = 800mm
Adjustment of post centres will be required to suit any intermediary rakes.

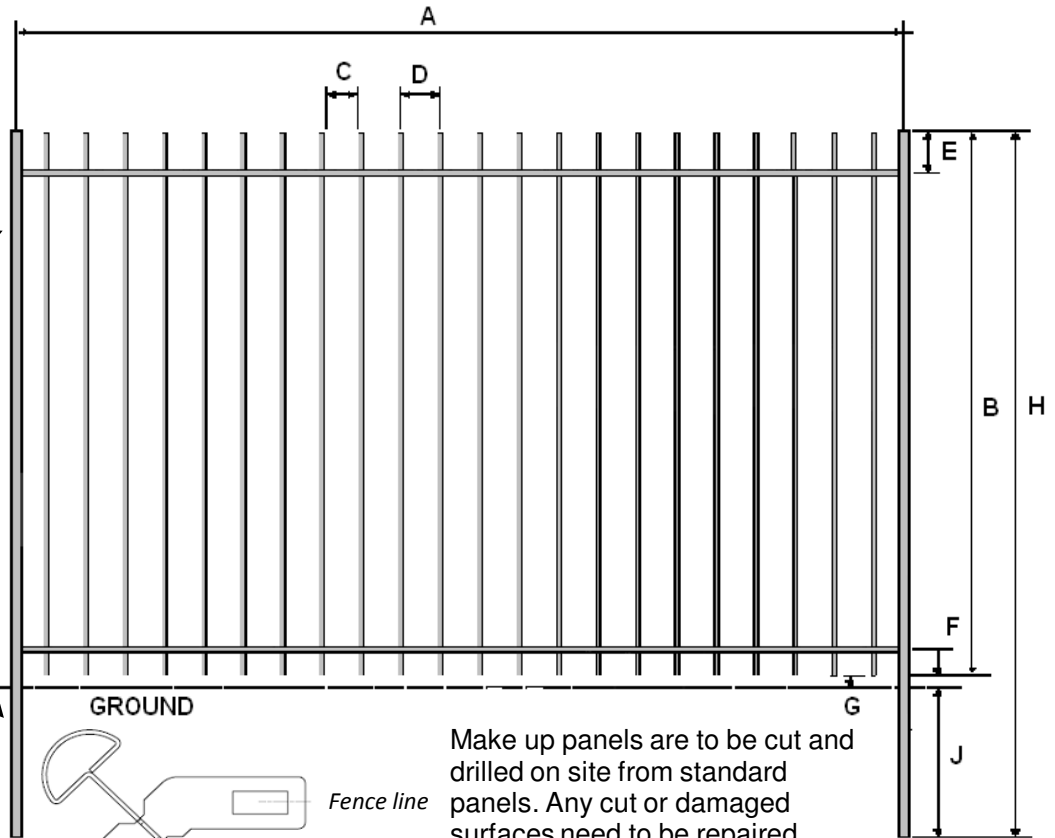


To insert fishplate:
Slide vertically midway into slot. Twist through 90° locating the fishplate horizontally

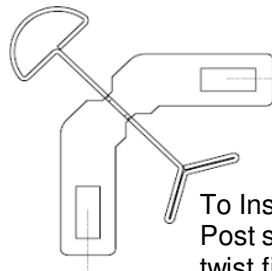


HD post/panel assembly

To fix panel:
Offer the rail onto the fishplate and slide along until it butts up to the post.



Make up panels are to be cut and drilled on site from standard panels. Any cut or damaged surfaces need to be repaired accordingly.



To Install a corner:
Post set at 45° angle. Slot and twist fishplate (see above fishplate)

Tools required - Conventional socket to suit M8 & M10 shear nuts

The information contained in this drawing is the sole property of Heras UK Fencing Systems. Any reproduction in part or whole without the written permission on Heras UK is prohibited.