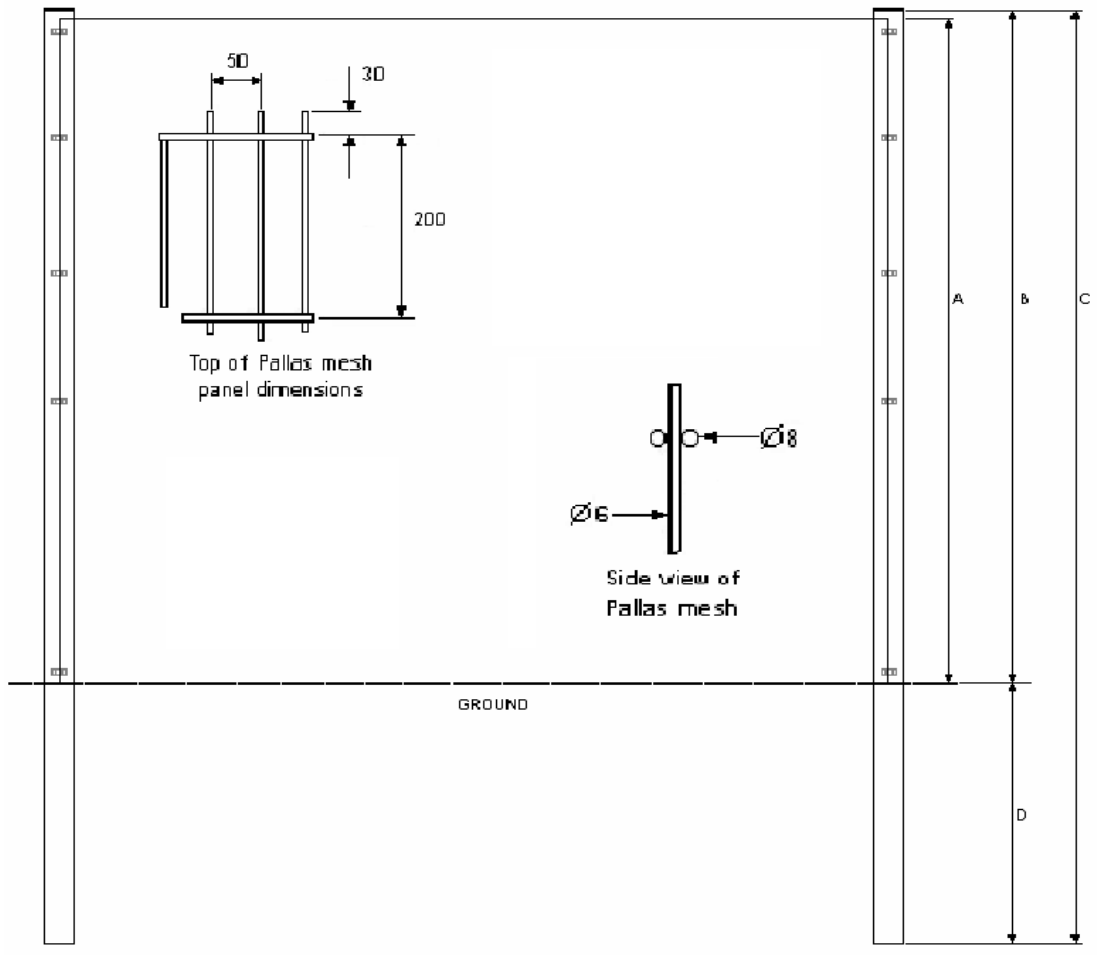


Pallas Xtra Installation Details

Fence specification						
Fence Height	A (panel height)	B	C	D	No of Clips	Post Centres
	Pallas	Pallas		Pallas		
1.0	n/a	n/a	n/a	n/a	n/a	2530
1.2	n/a	n/a	n/a	n/a	n/a	
1.8	1830	1840	2500	660	6	
2.0	2030	2040	2700	660	6	
2.4	2430	2440	3100	660	7	
3.0	3030	3030	3820	790	8	



Posts	* Baseplate option - 200 x 200 x 10mm (Holed for m10 Bolts - not supplied)
Bolts	* M8 x 40 Shear drive bolt

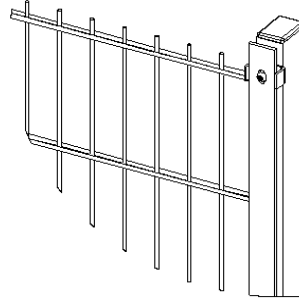
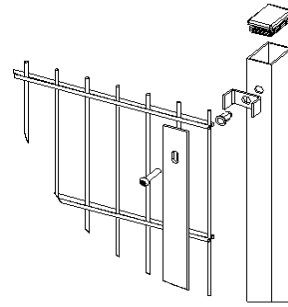
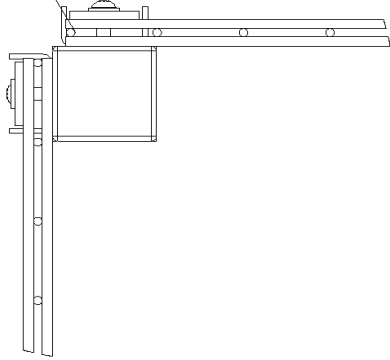
Fence specification

Panel fixed to post by suspending the top horizontal wires onto the top fixing clip on the post.

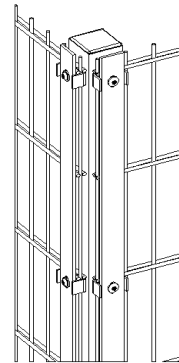
The wire can then be encapsulated within the aforementioned base using a flatbar system. This can then be secured into position using the provided security bolts.

Heras supply the appropriate tool bit for tightening the Anti-tamper bolts. This tool bit - for example- can be used with standard ratchet drives and portable drills.

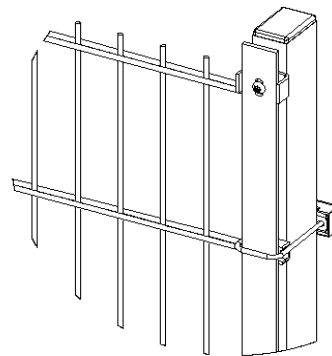
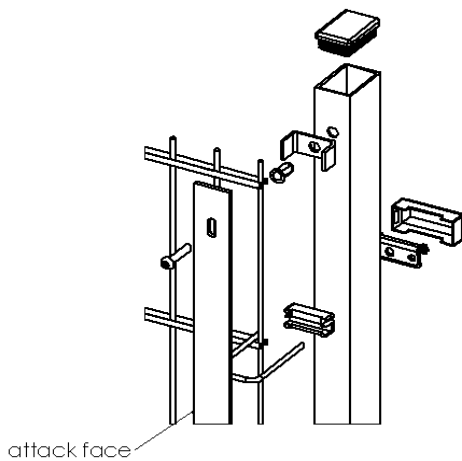
wire in coincident with far side of clip to dramatically reduce chance of wire leverage when attacked



For added security, this system incorporates additional security fixings in the form of U clamp sets that are attached to the intermediate. One clamp adjacent to the first pair of horizontal wires down from the top of the fence and up from the bottom (approx 200 mm up/down from the edges of the fence). Then additional clamps equally spaced up the height of the post but at no more than 800 mm centres.



Corner Situation



Posts

* Baseplate option - 200 x 200 x 10mm (Holed for m10 Bolts - not supplied)

Bolts

* M8 x 40 Shear drive bolt