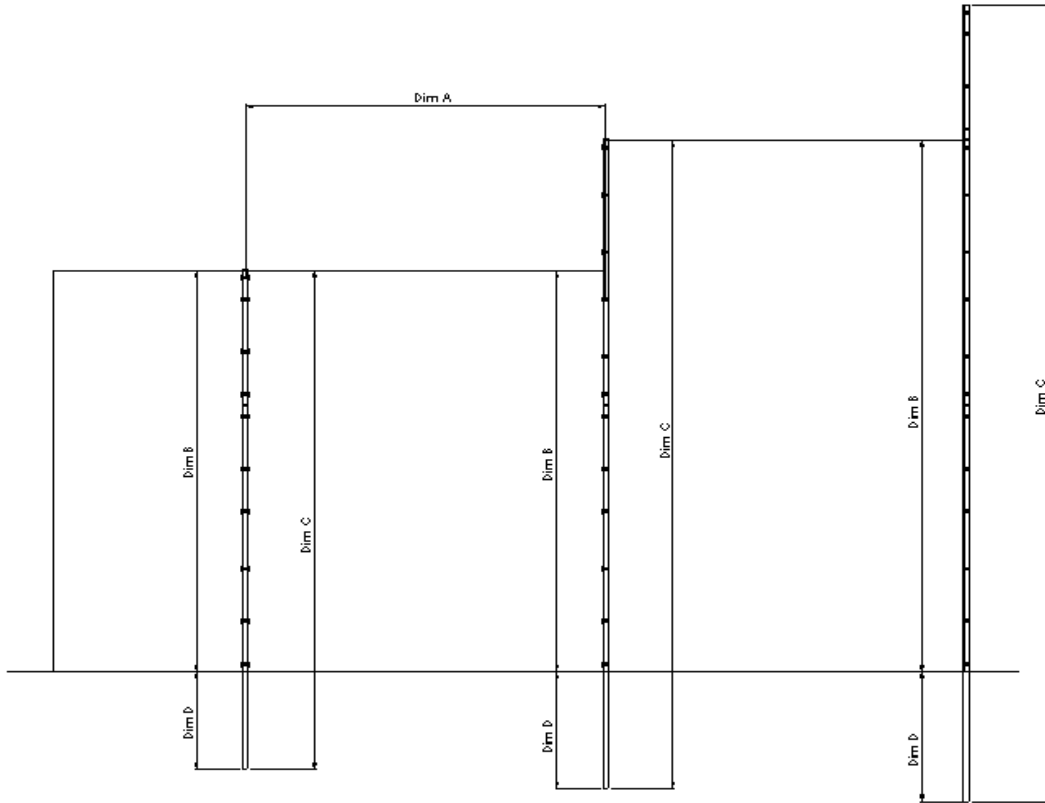
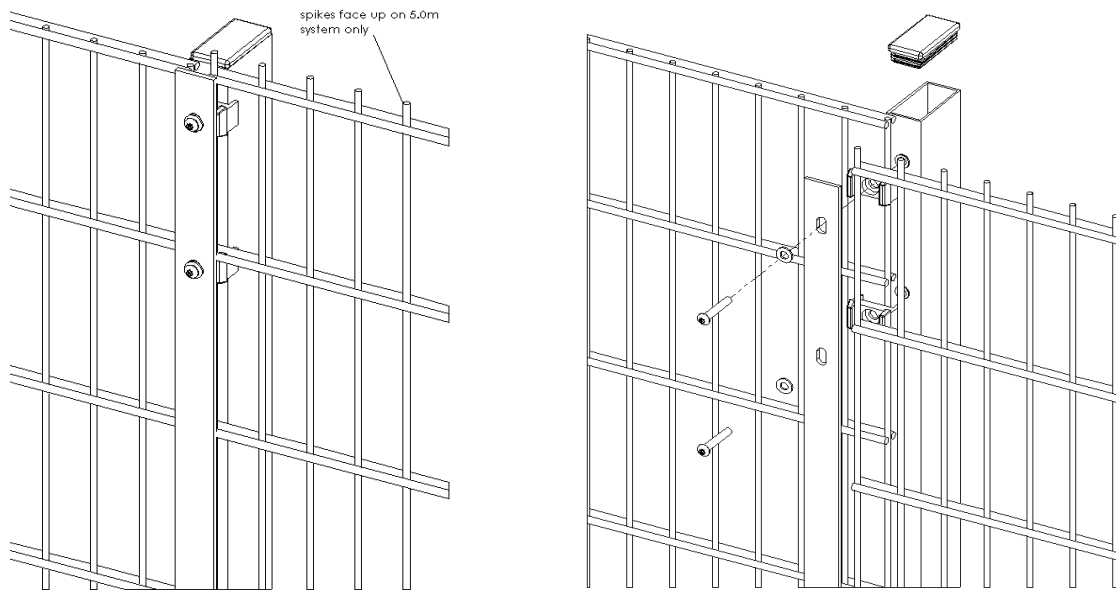


Ball/Sports Court Installation Details

Fence specification						
System Height	Dim A (post centres)	Dim B (fence height)	Dim C (post length)	Dim D (in ground)	No. of clips	Material
3.0	2520	3070	3820	750	10	80x40mm RHS
4.0	2520	4070	4970	900	12	100x50mm RHS
5.0	2520	5100	6100	1000	16	100x50mm RHS



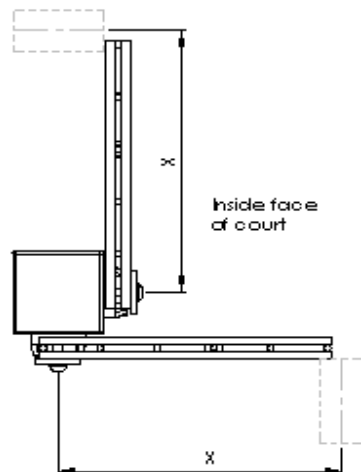
Fence specification



Panel fixed to post by suspending the top horizontal wires onto the nominal fixing base on post.

Flatbar fixed trapping the end verticals of each panel and secured with Anti-tamper security bolts.

Heras supply the appropriate tool bit for tightening the Anti-tamper bolts. This tool bit - for example- can be used with standard ratchet drives and portable drills.



Note:
Dim X = 2500mm centre to centre
to next post (corner situation only)
All intermediate post centres 2320mm