



# B620

## Entrance control / Tripod turnstile

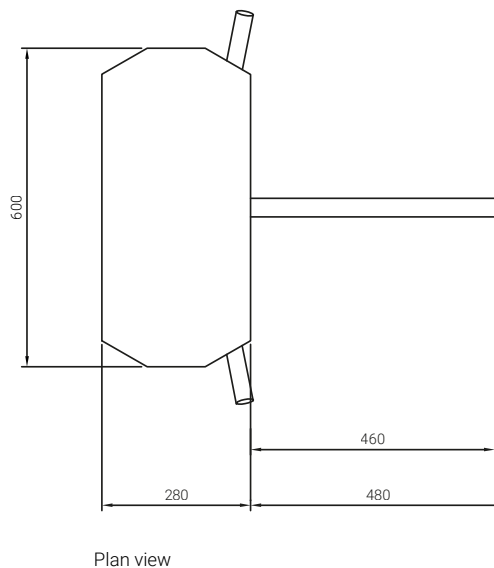
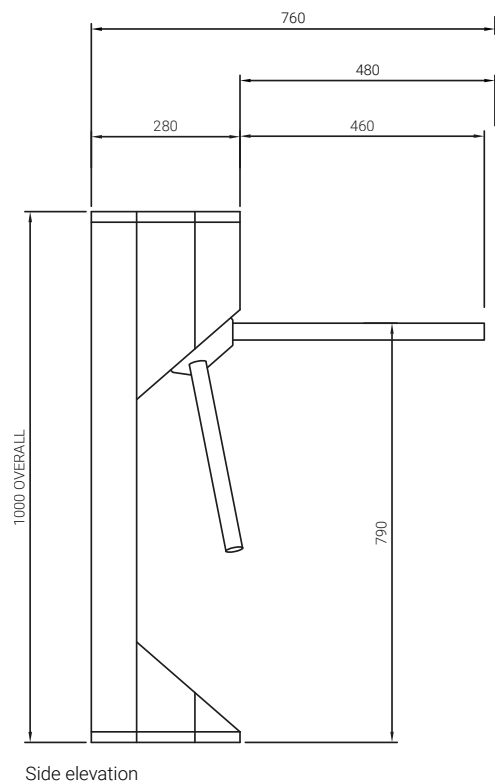
The B620 tripod turnstile couples an elegant, aesthetically pleasing design with solid practical construction - providing customers with a compact package suitable for a wide range of applications.

Installed in many blue-chip corporate reception and public facilities, the B620 features designed control electronics equipped with rotation sensors, interfaces with all access control and membership systems

The design of the B620 encompasses many of the best features of the Heras range of high-quality bespoke perimeter protection products available in a range of colours to match individual customer interior designs, the B620 is the ideal solution where there is a need for unimposing security where space is at a premium.

- **Compact yet effective**
- **Reliable, high quality materials**
- **Flexibility of application**
- **Ideal for high flow revenue collection and/or membership verification**
- **Complete range of RAL colours or stainless steel**

## Drawings (dimensions in mm)



## Technical specification

<b>Material</b>	Stainless steel AISI 316 arms, polished to a satin finish Stainless steel lid Low wear nylon locking components reinforced with fibreglass
<b>Power supply</b>	220 VAC 50 Hz
<b>Power rating</b>	50 VA
<b>Colour</b>	RAL 7032 (Flintstone grey)
<b>Finish</b>	Powder coated, embossed
<b>Locking</b>	Fail safe mechanism
<b>Packing dimensions</b>	400 x 500 x 600 mm
<b>Net weight</b>	30 kg

## Ordering information

Contact your local Heras office for precise ordering details.

## Suggested accessories / products

- Passage counters
- Passage indicators
- Special colours from RAL range
- Timed entry/exit
- Supplied for external use upon request
- Failed locked / fail unlocked options