



B700

Entrance control / Turnstiles

This range of full-height turnstiles provide easy-to-use, rugged and reliable, high security pedestrian control. Available in a range of configurations, materials and finishes to match a wide variety of security levels, operational and aesthetic requirements. Finishes include high quality polyester powder coatings in a wide range of colours, and several grades of stainless steel to withstand the harshest external environments.

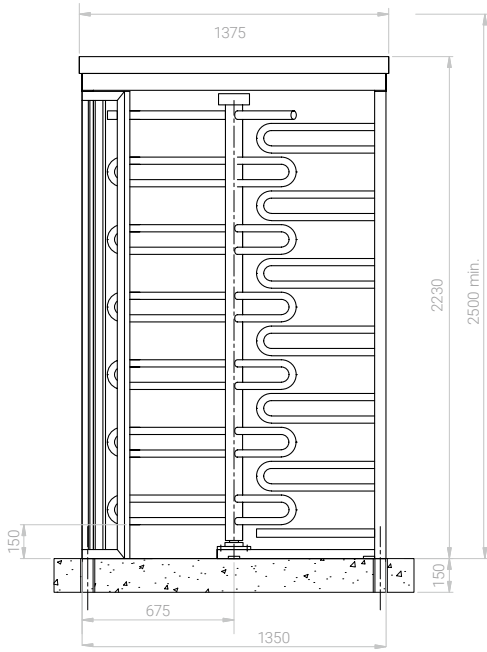
The heavy duty mechanism with continuously rated solenoids is designed for very high use. The rubber coupling between rotor and mechanism minimises vibration, noise, bounce-back, and wear on mechanism.

A programmable solid state control unit interfaces to all available access control and membership systems. Key

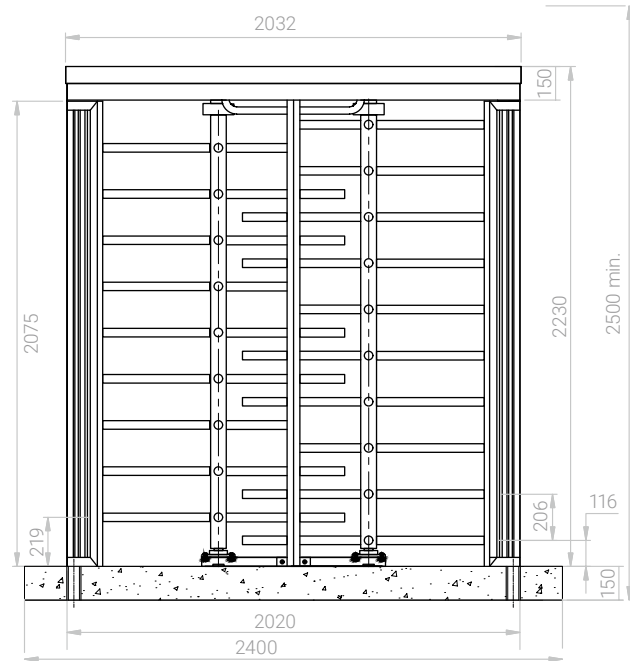
operated overrides allow operation during power failure, manual control and diagnostics. A special non-return sprocket assembly prevents unauthorised entry when rotor is moving or locked.

- **Safe and regulated pedestrian control**
- **Rugged and reliable design for unsupervised use**
- **Bi-directional electrical operation**
- **Simple 'plug and play' programmable control unit**
- **Choice of arms and single/double configurations**
- **Bespoke design to suit all applications**

Drawings (Dimensions in mm)



Single (trombone arm)



Double (straight arm)

Technical specifications

Configurations	Single or double 120 degree (three arm) 90 degree (four arm) Straight/trombone arms Solid/mesh rotor option
Material	Frame (flat and rolled hollow section RHS low carbon mild steel) Straight arms (38 mm dia. steel tube with polypropylene black end caps) Trombone arms (32 mm diameter steel tube)
Finish	Pre-treatment: Grit blast SA2.5 Primer: Interpon PZ790 Powder coating: Interpon D1036
Colour	Standard BS and RAL
Lock	Electrical (110-240 VAC, 50/60 Hz, max. 3 A)
Bearings	Triple sealed, heavy duty (marine grade lubricant)
Control unit	Modular, programmable, solid state, plug-in IP55 enclosure, cumulative counter
Foundation pad (WxDxH)	2400 x 1600 x 150 mm (double turnstile) 1600 x 1600 x 150 mm (single turnstile)

Certificates

- ISO 9001
- CE
- BS EN

Ordering information

Contact your local Heras office for precise ordering details.

Suggested accessories

- Mounting brackets for access card readers and intercoms.
- Red/Green indicator lights and/or 'way mode' indicators (red cross / green arrow).
- Walkway canopy with dust-till-dawn lighting.
- Stainless steel rotors.
- Free entry/exit push buttons.
- Battery back-up