



Noise reducer

Demarcation / Noise barrier

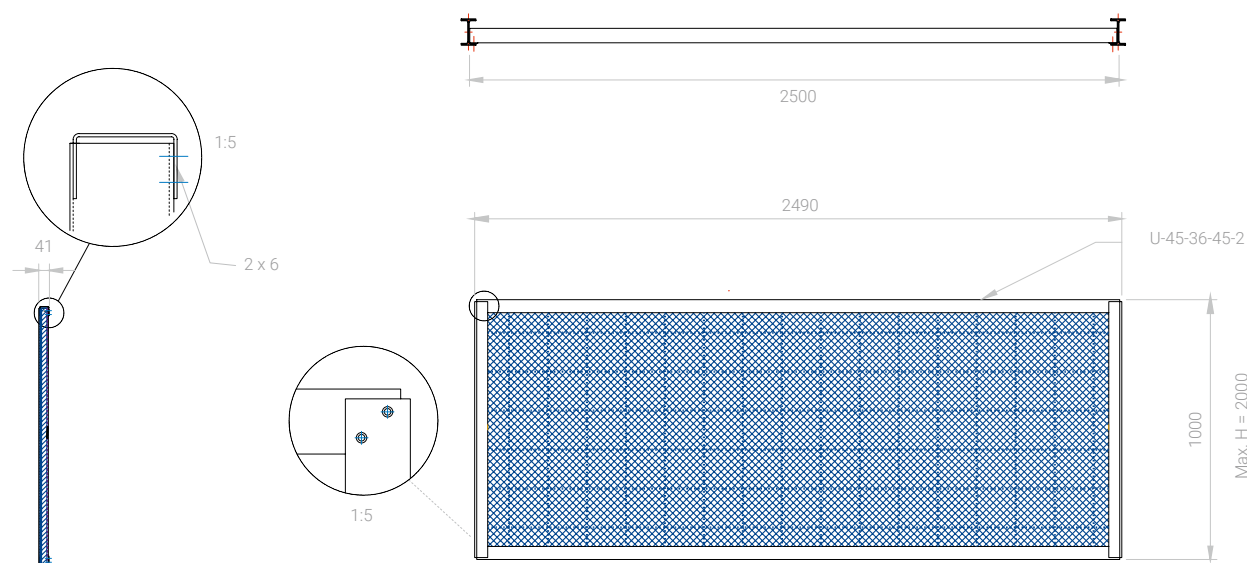
The Noise reducer is an effective sound wall with high noise insulation and absorption properties. The cleverly designed sandwich construction contains:

- A layer of noise absorbent mineral wool
- A thin metal plate for extra noise insulation
- All encased in a steel U-profile frame with galvanised steel wire-netting surround and HDPE windshield

With their light weight, small footprint and easily installed pre-fabricated format, these barriers are ideal for busy roads, school playgrounds, and surrounding loud installations such as air conditioning units or transformers. The plant-friendly surfaces of the panels can easily be covered with climbing plants or other decorative vegetation for natural blending into most surroundings.

- **Effective noise insulation and absorption**
- **Ideal also as perimeter and sight protection**
- **Lightweight with small footprint for easy installation**
- **Satisfies the most stringent noise reduction directives**
- **Surface is suitable for climbing plants**

Drawings (dimensions in mm)



Technical specifications

Panel material	Steel U-profile frame (U45/36/45/2) with hot-dip galvanized mesh (5 mm), Mineral wool (30 mm) covered in PE separator mesh (2 mm), Coated steel back plate (0.75 mm), HDPE windshield
Panel width	990, 1990 and 2490 mm
Panel height	1000, 1800 and 2000 mm
Panel thickness	40 mm
Panel weight	18 kg/m ²
Panel sound insulation	30 dB (group B3 conform DIN EN 1793-2)
Panel sound absorption	8 dB (group A3 conform DIN EN 1793-1)
Panel colour	RAL 6007 (dark green), RAL 7016 (anthracite grey)
Fence height	Maximum 3000 mm
Post profile	IPE 80-120
Post finish	Galvanized
Post centre-to-centre	2500 mm
Post connections	Self-drilling screws (6.3 x 38 mm)
Panel connectors (top and bottom)	4xM16 to M30x90 bolts, 4xM16 to M30 washers

Certificates

- CE (conform EN 14388: 2005 and GCW2012)
- NEN-EN-ISO-717-1

Ordering information

Contact your local Heras office for precise ordering details.

Suggested accessories / products

- Special noise reducing doors
- Concrete gravel board