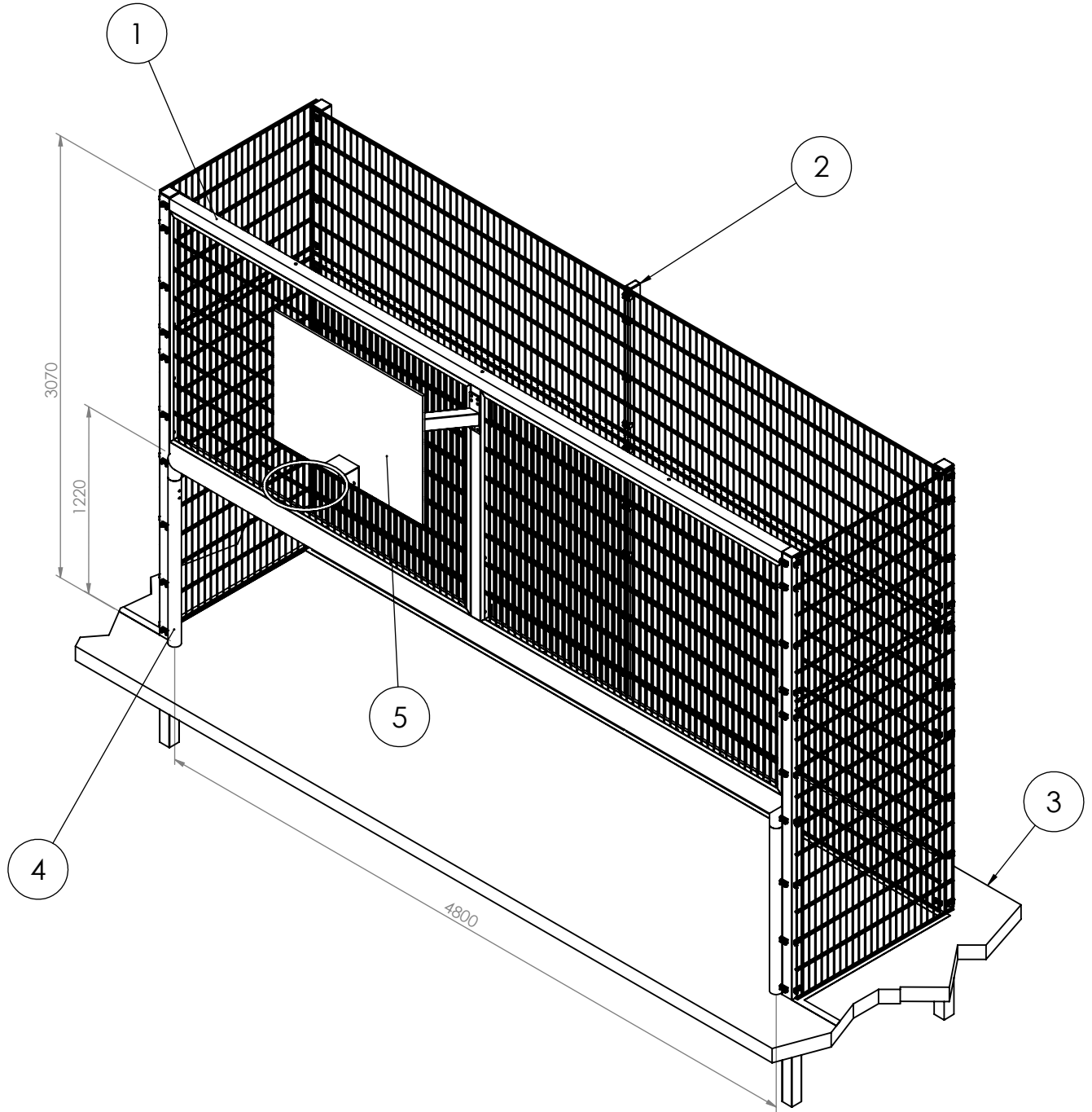


THE INFORMATION CONTAINED IN THIS DRAWING IS THE SOLE PROPERTY OF HERAS UK FENCING SYSTEMS. ANY REPRODUCTION IN PART OR WHOLE WITHOUT THE WRITTEN PERMISSION OF HERAS UK FENCING SYSTEMS IS PROHIBITED.

DRAWING REVISION UPDATE

REV	DATE	DRAWN	ALTERATION
-	-	-	-



5	A30200-B	1
4	A30102-0	1
3	P72001-0	1
2	A30052-0	1
1	A30010-B	1
Item No.	Part No.	Qty.

UNLESS OTHERWISE SPECIFIED
DIMENSIONS ARE IN MM
TOLERANCES ARE:

+0.50mm
-0.50mm

MATERIAL - Mild steel

FINISH -

DRAWN SM 24/06/2010

CHECKED SM 20/09/2010

HERAS UK FENCING SYSTEMS

3.0m high Sports system
Goal End Assembly
1.2m x 4.8m goal, 3.0m surround
with goalposts and Basketball hoop

DWG NO. **A31010-C**

REV.
0

3D MODEL REF: A31010-C

SHEET 1 OF 1