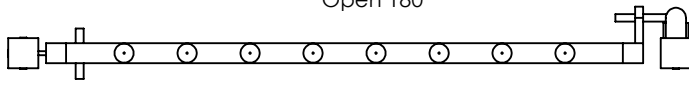


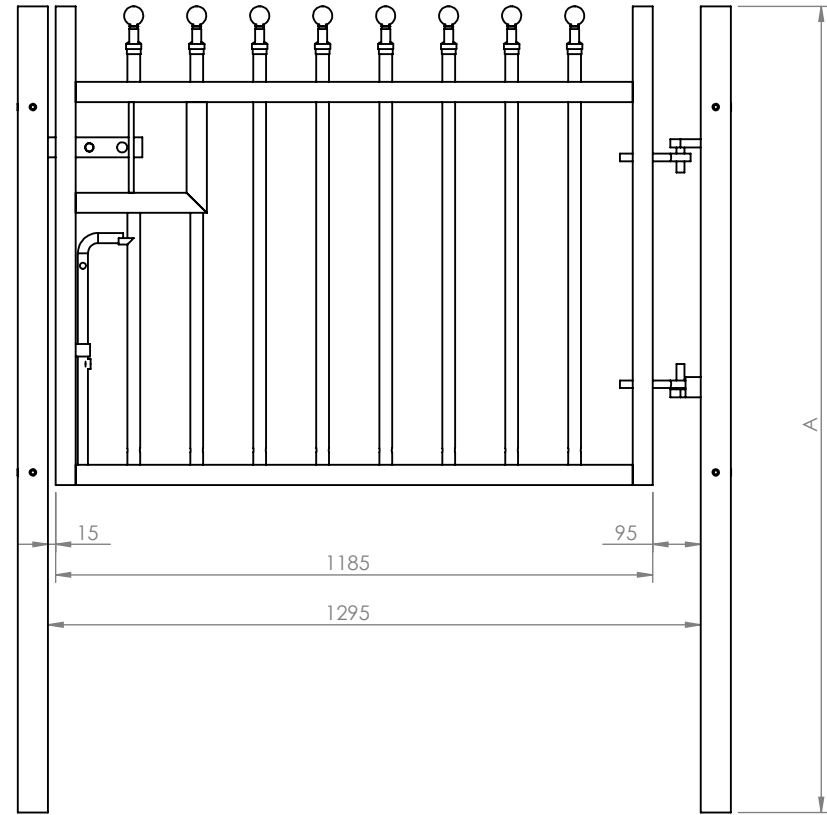
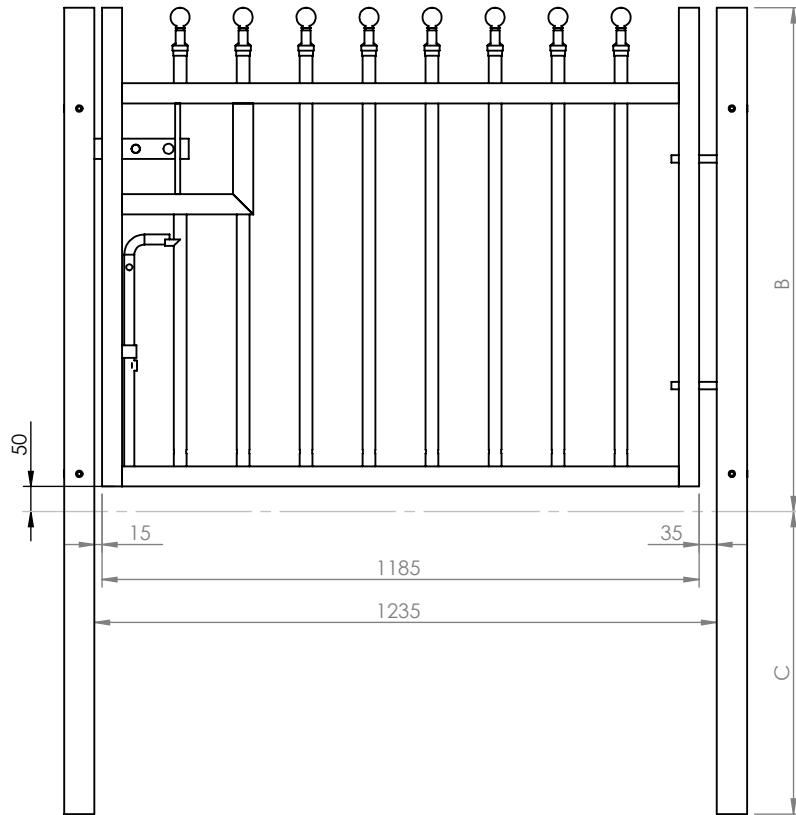
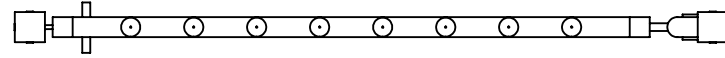
THE INFORMATION CONTAINED IN THIS DRAWING IS THE SOLE PROPERTY OF HERAS UK FENCING SYSTEMS ANY REPRODUCTION IN PART OR WHOLE WITHOUT THE WRITTEN PERMISSION OF HERAS UK FENCING SYSTEMS IS PROHIBITED.

DRAWING REVISION CHANGES			
REV	DATE	DRAWN	ALTERATION
-	-	-	-

Open 180°



Open 90°



Fence Height	A	B	C
1.0m	1500	1000	500
1.2m	1750	1200	550
1.5m	2000	1500	500

Herons Way Carr Hill Doncaster DN4 8WA Tel: 01302 364551 Fax: 01302 322401 E-mail: heras.sales@herasuk.co.uk Website: www.heras.co.uk			
		Contour Sphere top fencing system 1.0m, 1.2m, 1.5m high Std SL gate elevation	
DRAWN	SM	07/07/2010	DWG. NO: sphere_top_sl_ge_001
CHECKED	SM	08/10/2010	REV. 0
3D MODEL REF: sphere_top_sl_ge_001			SHEET 1 OF 1